

Pomona voters bring three new faces to City Council

The Nov. 6 general election came to Pomona and everywhere else this month and, if the semi-official results in last week's third update hold when final tabulations are certified, the results were pretty much the same as we saw two years ago when Pomona voters cleaned house.

That translates essentially to the incumbents out and the challengers in.

Long-time City Councilmember Cristina Carrizosa was turned down by City Council

District 3 voters in favor of Nora Garcia by a margin of 56.6 percent to 43.4 percent (1,618 votes to 1,240 votes as of the Nov. 16 update).

And over in District 5, Steve Lusto defeated two-term City Councilmember Ginna Escobar 44.3 percent to 41.9 percent (or 2,180 votes to 2,064 votes, or a difference of 116 votes – a margin that was only 91 votes on election night). George Grajeda captured 13.8 percent or 678 votes.

I n **New faces... pg. 7**



Steve Lusto



Nora Garcia



Victor Preciado

WAITING FOR THE TRAIN

Surprise cost increases of millions of dollars push back Gold Line's Pomona station two more years

Cost increases from all four design-build teams competing for the Foothill Gold Line's Glendora to Montclair extension resulted in an anticipated project cost of "hundreds of millions of dollars more than the secured funding available," and the long-awaited Pomona station being bumped back another two years from its original completion date.

The information was disclosed by Gold Line Construction

Authority CEO Habib Balian in an e-mail update last week to news media outlets.

This surprise reality check came following a two-month review of proposals which were received from the four "short listed" bidders.

A total of six committees of transportation and industry experts, attorneys, financial professionals and partner agencies reviewed the proposals

Gold Line Pomona Station... pg. 6

'Cops4Kids' program participants from Alcott Elementary place flags at veterans' graves for Veterans Day

It was early on the Saturday morning before Veterans Day this month and the grass was wet in Pomona Valley Cemetery but that didn't stop nearly 60 kids in the Pomona Police Department's Cops4Kids program – and their parents and guardians, a few folks from their school and a bunch of cops – from coming out to place U.S. flags at the grave sites of the country's military veterans.

The kids spent about an hour and a half on the project, working until all 300 flags were in place for this year's Veterans Day observance.

This year's Cops4Kids program is centered at Pomo- **Cops4Kids... pg. 2**



Photo by Renee Barbee

COPS4KIDS STUDENTS PLACE FLAGS AT CEMETERY FOR VETERANS DAY -- Students from Pomona's Alcott Elementary School placed 300 flags on graves of veterans this month at Pomona Valley Cemetery in preparation for Veterans Day. Pictured is a flag at the grave of World War I veteran Edward Benton Ross.



CONGRATULATIONS TO PUSD FALL GRADUATES

Gonzalo Rodriguez-Hernandez

GANESHA HIGH SCHOOL

Sharlene Luna

POMONA HIGH SCHOOL

Alexis Ayala

GANESHA HIGH SCHOOL

Cops4Kids... from pg. 1

na's Alcott Elementary School which, with nearly 1,000 students, is believed to be the largest elementary school in Pomona Unified School District.

The kids themselves, all fourth and fifth graders ages 9 up to 13, were in their second week of the program, according to Pomona Police Officer Diana Hernandez, who heads up the program.

In fact, she said that's why the kids were still wearing their white polo shirts.

"Once they earn their uniform shirt, which is going to be pretty soon because they are doing really well, they will be wearing a black shirt with our Cops4Kids motto, 'Respect given is respect earned,' on the back," she said.

They wear that weekly as they continue through the program until they graduate at the end of the 12-week academy program.

She said they are required to participate in one of the two community service events the program organizes, although they can attend both.

There are about 75 kids in the

program this year and between 50 and 60 participated in the flag placing event.

Alcott Assistant Principal Philip Herrera told La Nueva Voz it was the first year Alcott students have been involved in the Cops4Kids program.

"It is amazing, the (police) department is awesome, the community and students and the police department coming together as one is just a testament to the City of Pomona," he said. "So we're just proud to be here part of it and looking forward to the impact that we'll have on each other."

He said the students were only two weeks into the program and the training was already having an impact on students at school, "the way they talk, their mannerisms now, being in this academy part of our program."

"Just watching the connection with the classroom as well (is interesting) because that was our primary goal . . . how this is going to impact the student performance and it really has,"



Photo by Renee Barbee

OBSERVING VETERANS DAY AT POMONA VALLEY CEMETERY -- Some of the volunteer students from Alcott Elementary School in the Pomona Police Department's Cops4Kids program pose for the camera during a morning of placing flags at the graves of veterans in advance of Veterans Day at Pomona Valley Cemetery. Pictured, at rear, from left, are Alcott resource teacher Wendy Parra; Pomona Police Corporal James Gibson, head of the police department's crime prevention unit; Pomona Police Officer Jose Diaz, of the Cops4Kids program; Pomona Mayor Tim Sandoval; Pomona Police Officer Diana Hernandez, who heads up the Cops4Kids program; Alcott parent Manny Martinez, who served in the U.S. Marines in Somalia in the 1990s; and, at far right, Alcott Assistant Principal Philip Herrera.

Herrera said. "You can see the impact in the classroom... attentiveness, focus, academics, classroom management, the relationships, which is one of the most important, building those relationships among their peers... but also with staff, so it's really had a huge impact," he

added. Asked about the large number of parents and guardians on hand for the event, Herrera said parent participation at Alcott is "amazing."

He called the school a community within itself or a "city within a city" with parents coming in and offering support.

"We truly are very lucky to have them as part of our community," he said.

One of those parents, Manny Martinez of Pomona, took a moment to talk with La Nueva Voz while his son was on the other side of the cemetery placing flags.

Martinez, who served as a lance corporal in the U.S. Marines, served from 1992 to 1998 including Operation Restore Hope in 1992 and 1993 in Somalia.

He said **Cops4Kids... pg. 6**

VOLUME 10

Presented by D.P.O.A.

DPOA DOWNTOWN POMONA OWNERS ASSOCIATION

Sounds of Christmas

PARADE

Downtown Pomona

December 8, 2018 6-8pm

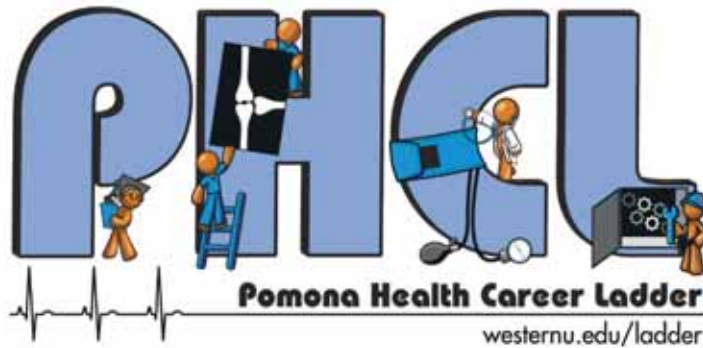
Holiday at the Plaza in Shaun Diamond Plaza 4-9pm

We protect it. You live it.

I'm here to help life go right" – so you can enjoy it, while I help protect it. Let's talk about your life insurance options. **CALL ME TODAY.**

Nona Tirre, Agent
 Insurance Lic#: 0F00633
 154 W San Jose Ave
 Claremont, CA 91711
 Bus: 909-620-2662
 Hablamos Español

State Farm Life Insurance Company (Not licensed in MA, NY or WI)
 State Farm Life and Accident Assurance Company (Licensed in NY and WI)
 1601487 Bloomington, IL



SATURDAYS ACADEMY
 8:45 a.m. - 1:00 p.m.

.....
Western University of Health Sciences
Health Education Center
701 E. Second St, Pomona, CA 91766

.....
Registration is available online only
Check-In starts at 8:00 a.m.



Please register at www.westernu.edu/ladder

**TRAINING FUTURE SCIENTISTS TO
 CREATE HEALTHY COMMUNITIES**

OCTOBER 20, 2018
 Forensics

NOVEMBER 10, 2018
 Nutrition & Diabetes

DECEMBER 15, 2018
 Disease Etiology

JANUARY 19, 2019
 Disabilities

FEBRUARY 23, 2019
 Mental Health & The Brain

APRIL 13, 2019
 Awards Ceremony

For more information, contact Maria Moreno
909.469.8239 • morenom@westernu.edu



#Proud2BePUSD



Pomona Unified School District ADULT AND CAREER EDUCATION

1515 W. Mission Blvd., Pomona, CA 91766 (909) 469-2333 www.pusd.org/ace

SPRING SESSION JANUARY 7, 2019 - MAY 31, 2019



ALL CLASSES ARE CONTINGENT UPON FUNDING AND ENROLLMENT

VISION STATEMENT

Adult and Career Education will offer opportunities for all students to participate in a world-class education for success in a rapidly changing society.

MISSION STATEMENT

We provide lifelong learning that is aligned to the needs of individuals, families, the workplace, and the community.

ENROLLMENT: Priority is given to adults, 18+ years of age, who are residents of the Pomona Unified School District.

REGISTRATION: Register in person only. Call (909) 469-2333 for more information.

FINANCIAL AID: Call (909) 469-2333 ext. 24325 for information. Financial Aid are applications available for Career Technical Education classes which are 600 hours or more.

SPRING 2019 CALENDAR

January 7 First day of Class
 January 21 (no classes) Martin Luther King Jr. Day
 February 11 (no classes) President Lincoln's Day
 February 18 (no class) President Washington's Day
 April 1-5 Spring Break (no classes)
 May 27 Memorial Day
 March 15 & May 31 Quarter Ends
 May 31 Last day of Class

CTE MISSION STATEMENT

The Career Technical Education Program provides rigorous and relevant workforce learning opportunities that prepare adults for employment, career changes, or career advancement for the 21st. Century.

Call (909) 469-2333 for more information on class dates, times, locations and fees.

Visit our website at www.pusd.org/ace for our complete schedule of classes.



Foothill Transit Bus Lines has two routes that stop in front of the school - #286 & #480.



The schedule of classes is subject to change.

ADULT LITERACY / HIGH SCHOOL DIPLOMA

- High School Diploma
- Computer Base Instruction-High School Diploma
- General Educational Development (GED) Test Preparation
- GED Test - Every 2 & 4th Tuesday of the month. Register online and pay at: www.ged.com(English and Spanish)
- Adult Basic Education

ENGLISH AS A SECOND LANGUAGE & CITIZENSHIP

- English as a Second Language (ESL)
- ESL Through Distance Learning/Home Study
- Citizenship Preparation

CAREER TECHNICAL EDUCATION

- Barbering/Stylist(1500 hours)
- Cosmetologist (1600 hours)
- Machinist/CNC (800 Hours)
- MasterCAM Training (800 hours)
- Medical Assistant (600 hours)
- Medical Insurance Billing and Coding (600 Hours)
- Office Occupations Programs:
 - General Office Receptionist (300 Hours)
 - Office Assistant/Clerk Typist (360 Hours)
 - Word Processing/Typist (690 Hours)
 - Accounting Clerk (720 Hours)
 - Secretary /Executive Assistant (690 Hours)
- Individual office skills courses (60, 90 and 120 hours)
- Apparel Design & Construction (Basic Sewing)



CELEBRATING 80+ YEARS OF EXCELLENCE IN ADULT EDUCATION



Pomona Unified School District ADULT AND CAREER EDUCATION

1515 W. Mission Blvd., Pomona, CA 91766 (909) 469-2333 www.pusd.org/ace



CLASES DE PRIMAVERA 7 DE ENERO - 31 DE MAYO, 2019

LA DISPONIBILIDAD DE LAS CLASES ESTAN BASADA EN EL PRESUPUESTO DE FONDOS E INSCRIPCIONES.

NUESTRA VISIÓN

La Escuela de Adultos y Carreras ofrece oportunidades educativas a todos los estudiantes con programas actualizados para que formen parte de ella y sean exitosos en una sociedad que está en constante progreso.

NUESTRA MISIÓN

Ofrecemos formación continua que se ajusta a las necesidades de individuos, familias, lugares de empleo, y la comunidad en general.

INSCRIPCIÓN: Se dá prioridad a personas mayores de 18 que sean residentes del Distrito Escolar de Pomona.

REGISTRACIÓN: Solamente en persona. Llamen a (909) 469-2333 para más información.

AYUDA FINANCIERA: Llamen a (909) 469-2333 ext. 24325 para más información. Las solicitudes de ayuda financiera están disponibles para clases de Carreras Técnicas de 600 horas o más.

CALENDARIO PARA LA PRIMAVERA 2019

Inicio de Clases 7 de enero
 Dia de Martin Luther King, Jr. 21 de enero (no hay clases)
 Dia del Presidente Lincoln 11 de febrero (no hay clases)
 Dia del Presidente Washington 18 de febrero (no hay clases)
 Receso de Primavera 1-5 de abril (no hay clases)
 Dia Conmemorativo 27 de mayo
 Final del Trimestre 15 de marzo y 31 de mayo
 Ultimo dia de clases 31 de mayo

MISIÓN DE CARRERAS TÉCNICAS

El Programa de Educacion para Carreras Tecnicas ofrece oportunidades rigurosas y relevantes de aprendizaje que prepara adultos para conseguir empleo, cambios de carrera, o avance profesional para el Siglo 21.

Para solicitar información de las fechas, horarios, ubicación de clases y pagos llamen a (909) 469-2333.

Algunas clases requieren pagos de inscripción, libros, uniformes, examen fisico, etc.

El sistema de transporte de autobuses, Foothill Transit, tiene dos rutas que paran enfrente de la escuela - #286 & #480.



Visiten la página www.pusd.org/ace para más información.



Las clases estan sujetas a cualquier cambio.

ALFABETIZACIÓN / PREPARATORIA

- Clases de Preparatoria (Bachillerato)
- Clases de Preparatoria por computadora
- Clases para el Certificado Equivalente de Preparatoria (GED)
- Registración para Examen de GED - \$140
 Regístrese en la página de internet:
www.ged.com (Examen en inglés o español)
 Exam cada segundo y cuarto martes del mes
- Educación Básica para Adultos

INGLÉS COMO SEGUNDO IDIOMA Y CIUDADANÍA

- Inglés Como Segundo Idioma
- Aprenda Inglés En Casa
- Preparación Para el Examen de Ciudadanía

CARRERAS TÉCNICAS

- Barbería/Peluquería (1500 horas)
- Cosmetología (1600 horas)
- Sistema de Maquinaria / Ajustador / CNC (800 horas)
- Asistente Médico de Oficina (600 hours)
- Facturación Médica, Seguro y Codificación (600 horas)
- Oficinista / Computación:
 - Recepcionista General (300 horas)
 - Asistente de Oficina/Mecanógrafo (360 horas)
 - Mechanografía (690 horas)
 - Auxiliar de Contabilidad (720 horas)
 - Secretario(a)/Asistente Ejecutivo(a) (690 horas)
- Cursos de Oficinista / Computación (60, 90 and 120 horas)
- Clase de Diseño y Costura Básica



CELEBRANDO 80+ AÑOS DE EDUCACIÓN EXCELENTE PARA ADULTOS

Retired teachers to hold holiday meeting

The Bonita High School (La Verne) Chamber Singers will present a cappella performance of classic, multicultural and contemporary holiday music at next month's meeting of the California Retired Teachers Association, Division 13.

The meeting is scheduled for 11:15 a.m. Wednesday, Dec. 12, at Hillcrest Retirement Commu-

nity, 2705 Mountain View Drive, La Verne.

The business meeting will include forming a nominating committee for the group's officers for 2019 – 2021 and information on "Lobby Day" in April in Washington, D.C.

For reservations (lunch is \$19), call (626) 963-6242 by Dec. 7.

New Pomona homeless shelter in need of donated hygiene kits

Volunteers of America, operators of Pomona's new \$10 million year-round homeless service center, is asking for donations of essential items for their "homeless care bags" to be placed on the beds of the city's homeless residents who will be utilizing the facility.

Mary Tawadros, partner relations specialist for Volunteers of America, said the bags of items will be placed on each bed when Phase 1 of the homeless shelter, which will be known as "Hope for Home," opens on Dec. 1.

However, she pointed out the items will continue to be needed on an on-going basis as new residents move into the facility.

The organization is in need of toothbrushes and toothpaste, shampoo, soap, deodorant, nail clippers, combs, wet wipes, plastic razors, shower shoes, snacks and bottled water and socks.

Other items include gloves and hats, hooded ponchos, note-

books and pens, playing cards and games, envelopes and stamps and fast food gift cards.

Travel sized items work best, Tawadros said.

Donated items for the "Sharing is Caring" hygiene kits should be dropped off by Nov. 28 at Pomona's Volunteers of America office, at 2040 N. Garey Ave., Pomona.

The city's new facility is located at 1400 E. Mission Blvd., Pomona. It will eventually provide 200 beds.

Other agencies maintaining an on-site presence to provide services at the facility beginning in Phase II include Tri City Mental Health, East Valley Community Health Center and "Prototypes," a women's support organization, among others.

Officials broke ground on the four-acre project in May.

For more information, call Volunteers of America at (909) 593-4796.

Gold Line Pomona Station... from pg. 1

to provide a basis for the assessment.

The winning team was expected to be responsible for building all elements of the 12.3-mile light rail extension to Montclair with the exception of parking facilities along the way.

"We learned that all four bids reflected a significant unfavorable shift in market conditions since the project estimate was completed two years ago," Balian said. "When added with current unknowns and risk within the construction

industry locally and nationally, these factors resulted in the eight-year construction project costing hundreds of millions of dollars more than the secured funding available."

The agency now is proposing a plan to deliver nearly 70 percent of the project two years ahead of the original schedule to avoid tens of millions of dollars annually in market escalation. That plan would get the Gold Line to Glendora, San Dimas and La Verne.

The new development also

means the budget for the six-station extension will be increased by \$570 million to a total project budget of \$2.1 billion.

Beyond La Verne, stations along the route include Pomona, Claremont and Montclair.

The proposal now calls for getting the line to Montclair by 2028, assuming funding becomes available.

The project is being funded by Measures M and R in Los Angeles County, Measure I in San Bernardino County, and the State of California's Transit and Intercity Rail Capital Program, an SB1 program that receives proceeds from the Cap and Trade auction and the recent gas tax increase.

The Foothill Gold Line Construction Authority is an independent transportation planning and construction agency created in 1998 by the state legislature to plan, design and build the Metro Gold Line light rail system from Union Station to Montclair. The first segment was completed from Union Station to Pasadena in 2003 and the Pasadena to Azusa segment was completed in 2015.

Advanced conceptual engineering on the Glendora to Montclair segment was completed in 2016.

Pomona Chamber to hold annual 'Holiday for Heroes' event

The Pomona Chamber of Commerce will hold its annual "Holiday for Heroes" luncheon to honor Pomona's public safety officers next month at Mountain Meadows Golf Course in Pomona.

The event will be held from 11:30 a.m. to 1:30 p.m. on Thursday, Dec. 13.

Individual tickets are \$50.

For reservations or to review sponsorship opportunities, call (909) 622-1256 or e-mail info@pomonachamber.org.

Cops4Kids... from pg. 2

he was there before the famous "Black Hawk Down" incident of motion picture fame.

Martinez was taking the time to place pennies on the headstones of veterans.

"When you are a veteran and you visit another veteran's grave site, just out of respect, you put a penny on the grave site," Martinez explained. "And if it is somebody you went to boot camp with, you put a nickel. Somebody that you worked in a unit with you put a dime. And somebody that you served with in combat and did not make it out, then you put a quarter, so it represents that out of respect."

"That's a tradition that they've had forever," he said.

And it applies whenever a veteran visits a grave site – not just on Memorial Day or Veterans Day.

The tradition became popular during the Vietnam War but has roots that can be traced back to the Roman Empire as a way of leaving something so a buddy will have some money in the hereafter.

Pomona's Cops4Kids program focuses on academics, physical fitness, military style drills and personal responsibility. A final "academy day" event consists of academic exams, drill protocol, obstacle courses and friendly competition.

Members of the police department participate in the final event providing demonstrations related to the aero unit, K-9, SWAT and school resource officers.

It is followed by a formal graduation to share the experience with the students' family members.

Pomona Casket Outlet

Caskets starting as low as
Precios de ataúd tan bajos como

\$390

Additional sales all through December.
Descuento adicional hasta diciembre.

1-800-644-7507

222 W Holt Ave Pomona, CA

La Nueva Voz

The Inland Empire's Leading Bilingual Newspaper

A division of South Coast Media Services

Providing media relations services since 1983

(909) 629-2292 • www.lanuevavoz.net

P.O. Box 1117 • Pomona, CA 91769

Publisher: Jeff Schenkel

Tel: (909) 224-0244 • jeffschenkel@verizon.net

V.P. of Advertising Sales & Operations: Renee Barbee

909-762-1446 • reneebarbee7@gmail.com

Layout and Design/Translations: Dora Cruz

dcruz549@yahoo.com

All major credit cards accepted!



Printed on recycled newsprint (30 percent recycled content) using soy-based inks.

Copyright © 2018 South Coast Media Services

All rights reserved.

Reproduction in whole or in part without permission is prohibited.

Your ad here!

(909)

629-2292

New faces... from pg. 1

District 2, Victor Preciado ended up with 50.6 percent of the vote to Jacqueline Elizalde's 49.5 percent (1,427 votes to 1,396 votes, or a margin of only 31 votes – a margin that was only 50 votes on election night).

City Councilmember Adriana Robledo did not seek re-election.

Two years ago, of course, in a similar “anti-incumbent” environment, Tim Sandoval took over the reins as the city’s new mayor defeating Elliott Rothman, Elizabeth Ontiveros-Cole won more votes than veteran

City Councilmember Paula Lantz, and Robert Torres came in ahead of City Councilmember Debra Martin. Rubio Gonzalez came in on top in the race for the first district seat on the city council when Councilmember John Nolte decided not to seek re-election.

The city’s Measure PC, which would apply a 6 percent tax rate on gross receipts on the commercial cannabis businesses in Pomona if they ultimately are legalized by the city council, passed 71.5 percent to 28.5 per-

cent. It would also tax growers \$10 per square foot.

The measure is expected to generate between \$400,000 and \$500,000 annually.

And Measure



VOTING LIGHT AT RANCH HILLS ELEMENTARY SCHOOL -- Voting was light at Pomona’s Ranch Hills Elementary School in Phillips Ranch over the lunch hour although poll workers, pictured at rear, said things were pretty busy earlier in the morning as voters turned out on their way to work. La Nueva Voz actually had to wait 10 minutes or so for a voter to come in the door, although poll workers said they had just had a fairly busy “wave” of voters only moments earlier.

Turnout also was light at Pomona’s Garey High School at mid-day on election day.



BUSIER IN NORTH POMONA -- Things were a lot busier at Pomona’s Lincoln Avenue Community Church on election day and, according to an election official, they had been all day but, in fairness, they had four precincts filling the multipurpose room in back.

PG, calling for a three-quarter percent sales tax increase in Pomona to generate an additional \$12 million in city revenue each year, passed 65.5 percent to 34.5 percent.

The measure automatically expires in 10 years.

Up the hill at Three Valleys Municipal Water District, Three Valleys Board member Carlos Goytia, representing South Pomona on the water board, came out on top of Elliott Rothman, holding on to his seat in a 61 percent to 39 percent tally.

Mt. San Antonio College’s Measure GO, essentially a bond measure to provide funding for making needed upgrades to the college infrastructure, passed 61 percent to 39 percent.

Although many polling places throughout Pomona were not crowded at many times of the day, voter turnout was high in the mid-term election.

special activity.

Several employees at David & Margaret will be able to take advantage of the new benefit, the news release said.

Established in 1910, David & Margaret serves more than 1,700 clients annually through a comprehensive range of programs including residential care for girls ages 11 to 21 who are in foster care, supportive services for youth transitioning out of foster care and more.

For more information, visit the web site at www.davidandmargaret.org.

A total of 63,496 voters were registered on election day in Pomona and 20,778 of them, or 32.72 percent, went to the polls.

Semi-official countywide figures from the Los Angeles County Registrar-Recorder/County Clerk showed a total of 2,632,042 ballots were processed and counted on election day with 50.61 percent of the county’s eligible registered voters casting ballots, higher than the Pomona voter turnout.

Remaining late “vote by mail” and provisional ballots – estimated now to total 422,600 – were continuing to be counted by the county. Election results were expected to be officially

U.S. SBA, California Hispanic Chambers team up to aid Hispanic-owned businesses

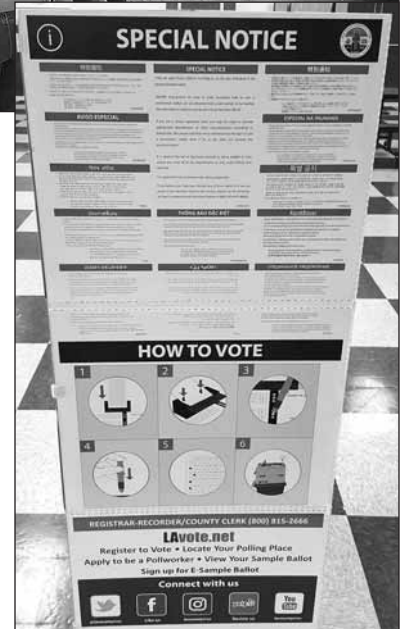
The U.S. Small Business Administration and the California Hispanic Chambers of Commerce have announced a new agreement in the form of a memorandum of understanding committing both organizations to support the more than 800,000 Hispanic-owned businesses and entrepreneurs looking to start a small business in California, the fifth largest economy in the world.

“The SBA recognizes the high entrepreneurial drive of the Hispanic community and the economic contributions on local economies,” said SBA Region IX Administrator Michael Val-lante. “SBA is committed to supporting Hispanic small busi-

ness owners so that they do not face a funding ceiling and have access to resources to grow their business.”

The organizations will work together to share information in order to eliminate barriers, provide access to capital, resources, mentoring and networking – all business elements that allow business owners to be successful.

“We are honored to partner with SBA to ensure our Hispanic-owned businesses have what they need to succeed,” said Julian Canete, President and CEO of the California Hispanic Chambers of Commerce. For more information, visit the web sites at www.sba.gov and www.cahcc.com.





~ EL EVENTO ~

Navidades Honda



2018 Honda Liquidación

9399 Autoplex Drive, Montclair, CA 91763 • (909) 625-5000 metrohonda.com

2018 Honda Civic

LX 4Dr CVT MSRP \$20,635.
Automático • 4DR • N° de Modelo FC2F5JEW

Todos En Almacén

\$98
Arriende Por.....

AL MES. 36 MESES



2018 Honda Accord

LX • 4-Dr MSRP \$24,465
Automático • 4DR • N° de Modelo CV1F1JEW

Todos En Almacén

\$169
Arriende Por.....

AL MES. 36 MESES



2018 Honda CR-V

LX 2WD CVT MSRP \$25,245
Automático • 4DR • N° de Modelo RW5H3JEW

Todos En Almacén

\$169
Arriende Por.....

AL MES. 36 MESES



2019 Honda Ridgeline

RTL 2WD MSRP \$35,865
Automático • N° de Modelo YK2F5KJNW

Todos En Almacén

\$299
Arriende Por.....

AL MES. 36 MESES



Excluye opciones agregadas por el concesionario. Todos los vehículos: \$3499 Inicial por arrendamiento de 36 meses más impuesto. \$0 Depósito de Seguridad Excluye 1er pago, Impuestos, Cobros del DMV, Cobros ACQ MSRP (incluye destino, excluye impuesto, licencia, cobros de Título, registro, cobros de documentos, opciones, seguro y similares). Arrendamiento es de Plazo Cerrado debe tomar entrega nueva de menudeo en vehículo del Almacén del concesionario. Disponible para arrendatarios bien calificados aprobados por Honda Financial Services. No todos los arrendatarios calificarán. Tasas más altas de arrendamiento aplican para arrendatarios con calificaciones de crédito más bajas. Arrendatario es responsable por el mantenimiento, uso y desgaste excesivo y .15¢ por milla en exceso de 12 Mil Millas por año para vehículos con el MSRP menos de \$30,000, y .20¢ por milla en exceso de 12 Mil Millas por año para vehículos con el MSRP de \$30,000 o más. Expira 01/02/2019. Vaya al concesionario para detalles completos.



The only area hospital recognized for excellence in OB/GYN, gynecologic surgery AND labor & delivery.

For 2017, our Women's Center has been recognized seven times over – with three Healthgrades Excellence Awards and four 5-Star honors. In fact, we're the only hospital in Los Angeles, Riverside and San Bernardino counties to receive these recognitions.

That means we're the place to go – for everything from maternity to complete women's care. Wherever we lead, good health follows.

Call 1.909.865.9858 or visit www.pvhmc.org.



Garey High School shuts out Pomona police in demo soccer match

Generally speaking, La Nueva Voz has always been a supporter of the Pomona Police Department so, because of that, we almost hate to break this news.

On the other hand, we've always had a lot of respect for the kids at Pomona's Garey High School, so we're thinking it all balances out.

So we'll just say it – the Garey kids played the Pomona cops in

to Garey Assistant Principal Roddy Layton.

"We had around 100 people in the crowd," he said. "We were glad to have them out. The purpose of the event was to build community relations."

Layton said the officers had their families at the event and the students were "able to see that our officers are humans behind the badge." And



The Garey High School and Pomona Police Department soccer teams pose for a picture.

soccer this month and the final score was 10-0 with Garey coming out on top.

We weren't there so we're not real sure what happened but everybody was smiling in the photo so we're thinking it all worked out all right.

It was the first time the two teams played against other so we're guessing Pomona's finest might not have been ready for a few slick moves the kids had ready for them. Maybe a little advance scouting would have helped – after all, isn't that what those under cover operations are all about?

But with the impressive score aside (of course, it depends on which team you are on for that), it was a great community event, according

plenty of Garey staff, students and parents were in the stands as well.

School resource officer Diana Hernandez and Layton organized the event on the heels of a flag football game and soccer game against Village Academy High School last year.

Both teams were co-ed, Layton added, and both sides are looking to schedule a softball game to take place in the spring.

We're thinking that is somebody's idea of a rematch. Maybe a slower paced game will help the team with, um, a few more years under their belt.

Either way, congratulations to both teams for giving it everything they've got.

Pomona Valley Hospital launches new triage system for emergency patients to speed up access to care

Pomona Valley Hospital Medical Center has launched a new 24-hour "provider on arrival" program in its emergency department, making it possible for patients to have access to a certified emergency physician who can quickly assess the patient for level of care required and immediacy of need for treatment.

The process begins at the triage desk in the hospital's emergency department.

The hospital is one of the first in the region to staff its emergency department exclusively with emergency physicians.

"Provider on arrival improves the emergency department patient

flow, expedites treatment and improves patient satisfaction," said Dr. James Kim, medical director of the hospital's emergency department.

Since the program was launched in September, patients requiring an immediate bed have experienced shorter wait times and prompt care once they've been moved to a bed, largely because the physician already has placed the treatment and medication orders during the rapid medical exam at triage.

In addition, the time from arrival to discharge has been reduced for all patients, according to a hospital news release.



Photo by Eric Jung

LA NUEVA VOZ WINS OPTIMISTS' BUSINESS OF THE YEAR AWARD -- La Nueva Voz, Pomona's only community newspaper, was honored at a Pomona Optimist Club fundraiser event last month at the Pomona Eagles lodge with the club's "Annual Business of the Year Appreciation Award." The club presented the award to La Nueva Voz "for promoting optimism as a philosophy of life by always emphasizing the sunny side of everything through your outstanding positive reporting." Pictured, from left, are Optimist member Debra Martin, Optimist treasurer Fernando Meza, Optimist President Lorraine Canales, Jeff Schenkel and Renee Barbee of La Nueva Voz (Renee is also an Optimist member), and Ruth Alvarez, Optimist Vice President. Proceeds from the event went to support Optimist events like the Christmas shopping spree for kids, Pomona's Great Campout, the campaign against childhood cancer, "Dress to Impress" scholarships, essay and oratorical contest scholarships, students of the month and more.

Claremont Symphony to perform Brahms Sunday, Handel's Messiah next month

Claremont Symphony Orchestra will present Kevin Kumar on the violin in its concert Sunday, Nov. 25.

The 3:30 p.m. concert, in Bridges Hall of Music ("Little Bridges") at Pomona College in Claremont, will feature Poeme

by Ernest Chausson, Tzigane by Maurice Ravel, and Symphony No. 4 in E minor by Johannes Brahms.

The symphony's annual Messiah (George Frideric Handel) community singalong is scheduled for two

performances at 1:30 p.m. and 4 p.m. Sunday, Dec. 23, also at Little Bridges.

The Claremont Symphony is a non-profit orchestra founded in 1953. For more information, visit the web site at www.claremontso.org.



Three Secrets for a Perfect Event:
Location! Location! Location!

Kellogg House and Kellogg West at Cal Poly Pomona are available for:

- Weddings
- Birthdays
- Reunions
- Quinceañeras
- Retirements
- Conferences



KelloggHouse.com
KelloggWest.com



(909) 869-2251
Kellogg West

(909) 869-2919
Kellogg House

3801 W. Temple Ave., Pomona, CA 91768



CHINESE LANTERN FESTIVAL AT FAIRPLEX -- "The Wild Chinese Lantern Festival" opened at Pomona's Fairplex this month for an after-dark experience that is lighting up the night for hundreds of visitors. And to a large degree, as these photos demonstrate, it was all about kids, families, photos, selfies and more amid everything from flamingos to dinosaurs. More than 1,000 lanterns -- all over picnic hill and along the Fairplex lagoon -- are on display ranging in size from 12 to 23 feet tall, many from traditional paper and silk, combining art and culture. This year's theme is "wild" and the exhibit includes the animals of five locations -- America, Oceania, Asia, Antarctica and Africa. Also included is food, along with shows, demonstrations martial arts performances, dinosaur rides for children and shadow play. The exhibit continues Thursday through Sunday from 5:30 to 10 p.m. through Jan. 6. Tickets range in price from \$15.50 to \$27.

Music



at 

Noon

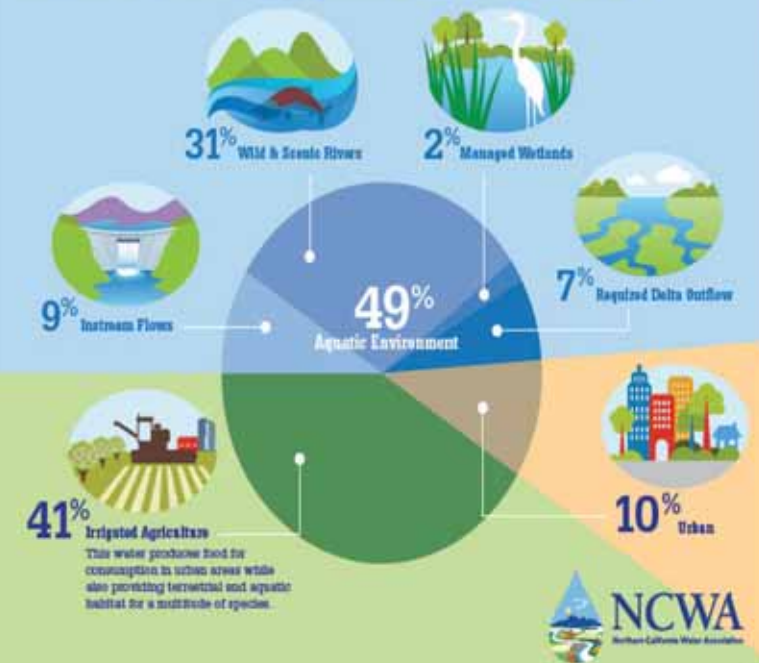
Repertory Opera Company presents
40 minutes of musical beauty and serenity

Every Wednesday at 12 noon
with Brian Farrell at the piano

at Trinity United Methodist Church of Pomona
676 N Gibbs St, Pomona, CA 91767

Concert is free
but donations gladly accepted
for more information (909) 230-4949

California Applied Water Use



Source: California Water Plan at: <http://www.waterplan.water.ca.gov/rwps2013/final/index.cfm> (Volume 1, pages 3-31 through 3-36)



Another DRY Fall Season!

So far, rainfall in the Los Angeles area is BELOW normal by more than 1/3 of an inch. That may not sound like much, but with an area dependent upon groundwater for 50% of its water supply, the impact is huge.

Let's all remember that California is one state, one water supply and what we save today helps us all tomorrow.

California remains the 5th largest economy in the WORLD. This can only be achieved if we continue to work together to use water resources wisely.

Three Valleys Municipal Water District's Areas Served:

Azusa, Boy Scouts of America-Firestone Reservation, California State Polytechnic University-Pomona, City of Industry, Claremont, Covina, Covina Irrigating Co., Diamond Bar, Glendora, Golden State Water Co., Hacienda Heights, La Puente, La Verne, Mount San Antonio College, Pomona, Pomona-Walnut-Rowland Joint Water Line Commission, Rowland Heights, Rowland Water District, San Dimas, Suburban Water Systems, Valencia Heights Water Co., Walnut, Walnut Valley Water District and West Covina

Covina resident wins Pomona Valley Hospital Foundation's first-ever musical competition to benefit cancer center

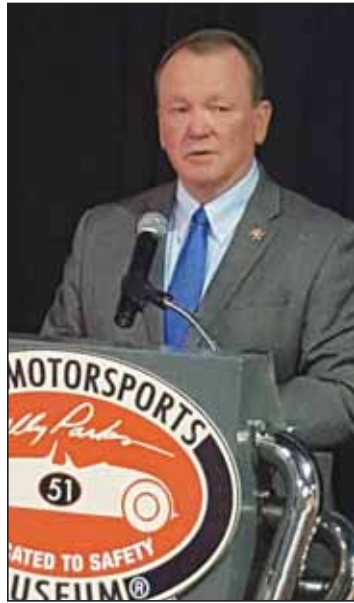
Covina resident Braxton Gohde – who said he wouldn't be there to sing and share his gift if it was not for his mom – was the top winner last month in the Pomona Valley Hospital Medical Center Foundation's first-ever "Singing for Survivors," an American Idol-style competition.

Proceeds from the fundraiser were earmarked for the Robert

and Beverly Lewis Family Cancer Care Center Endowment Fund.

"She is a cancer survivor," Gohde said. "Cancer has been a huge sad part of my life and I'm so honored for this opportunity."

Second place in the event went to Vivian Ridgway and third place went to Ryan Wirtz. Both are residents of Chino



SHERIFF SPEAKS AT FAIRPLEX -- Los Angeles County Sheriff Jim McDonnell addressed Pomona's elected officials and civic leaders and Los Angeles County Supervisor Hilda Solis in a community forum last month at the National Hot Rod Association Motorsports Museum at Fairplex, covering a wide variety of issues and commenting that he and his department have an excellent working relationship with the Pomona Police Department. The latest unofficial election results at press time showed the one-term sheriff was trailing challenger retired sheriff's Lt. Alex Villanueva 51.3 percent to 48.7 percent, or 1,112,673 votes to 1,054,863 votes.



CANCER SURVIVORS ATTEND EVENT -- Beth Brooks of Brooks Property Management and Sharon Willison of Williams Sign Co., both breast cancer survivors, attended the Pomona Valley Hospital Foundation's "Singing for Survivors" event with their daughters. Pictured, from left, are Crystal Williams, Sharon Willison, Beth Brooks and Mary Prendergast.



Pictured, from left, are Judge Claudia Lennear with winners Vivian Ridgway, Braxton Gohde and Ryan Wirtz at last month's "Singing for Survivors" musical competition presented by the Pomona Valley Hospital Medical Center Foundation to benefit the Robert and Beverly Lewis Family Cancer Care Center Endowment Fund.

Hills.

Host for the evening was comedian, actor, producer, director and writer Jeff Garlin.

Claudia Lennear served as judge for the event held at the DoubleTree Hotel in Ontario.

Other vocalists who were finalists competing included Leilani Jones of North Rialto, Arianna Nelson of Rancho

Cucamonga, Mia Perez of Walnut, and Jolleen Mejia and Crystal Williams of Chino.

A panel of judges and audience members had votes in selecting the winners.

Many of the finalists were singing in honor of loved ones who were either cancer survivors or currently battling cancer.

¿NECESITAS SEGURO DE AUTO?
LLÁMAME PRIMERO.

AHORRO PROMEDIO ANUAL: \$498

EN PROMEDIO, LOS CONDUCTORES QUE SE CAMBIARON DE:

- Geico: ahorraron \$310 con Allstate.
- Progressive: ahorraron \$441 con Allstate.
- State Farm: ahorraron \$318 con Allstate.

Ahora puedes ahorrar aún más con Allstate.

Conductores que se cambiaron a Allstate ahorraron un promedio de \$498* al año. Cuando estés comprando un seguro de auto llámame primero. Te sorprenderás con todo lo que podrías ahorrar.

KRISTIN MCLAUGHLIN & GLENDA PEREZ
909-593-0834

2332 D STREET #D
LA VERNE
kmclaughlin@allstate.com
CA Insurance Agent #: 0I20301



*Pólizas sólo en inglés. Ahorros promedio están basados en la información reportada a nivel nacional por clientes autorizados de Allstate por las pólizas escritas en el 2013. Ahorros actuales varían. Allstate Indemnity Co. Northbrook, IL. © 2014 Allstate Insurance Co.

You may qualify for a **NO COST** solar electric system!



Are you a homeowner who wants NO COST solar?
Do you live in the target zone?
Is your yearly income below the chart listed?

Household Size	Maximum Income
1	\$54,250
2	\$62,000
3	\$69,750
4	\$77,500
5	\$83,700
6	\$89,900

Easy Solar Program Application

- NO social security number required
- NO loan or lien on your home
- NO credit score or high electric bills needed
- Cut your electricity bill up to 90%

Contact **GRID Alternatives** to see if you qualify
1.951.465.2864 or **gridsolar.org**



**** Ready for a New Career? Ask about our Job Training Program****

Contractor Lic. # 867533
Tax ID # 26-0043353

Willie White Park Focus Group's annual cultural festival becomes a true 'melting pot' of cross-cultural music and dance

Photos by Ruby Jung and Victor Preciado



Students from Pomona's Village Academy High School prepare their face painting booth for the kids that will be stopping by at the cultural festival.



Two young ladies in full folkloric attire pose for the camera before going on stage with their dance troupe to present their version of authentic Mexican folk culture at the cultural festival. Other entertainment was provided by the combined choir classes of Ganessa High School and Harrison and San Jose Elementary Schools, the Inland Conservatory of Performing Arts, the Village Academy High School performing arts band and performing arts dance group, Heart and Soul Line Dance, No te Rajes Jalisco, Dance N Escape and more.



Pomona Police Department Explorers present the colors at the beginning of last month's Willie White Park cultural festival.



Corporal James Gibson, head of the Pomona Police Department's crime prevention unit, takes over the driver's seat of the department's SWAT vehicle which was on display at the Willie White Park cultural festival.



Pomona police officers were on hand at the Willie White Park cultural festival last month to display equipment like this motorcycle with pink highlights in honor of Breast Cancer Awareness Month, to talk to the kids and to hand out "badge" stickers.



Debra Martin poses for the camera before stopping by the ticket booth.



Privileged to help.

John Forbing, Agent
Insurance Lic#: 0502558
3030 W Temple Avenue
Pomona, CA 91766
Bus: 909-623-8571
Hablamos Español

We're honored to serve this community for 41 years.
My staff and I look forward to many more with you. Thank you for your continued support and business.
Get to a better State.[®]
Get State Farm.
CALL ME TODAY.



Pomona Mayor Tim Sandoval stops by the booth of Pomona's School of Arts and Enterprise to say hello to Tricia Manzo, admissions and community outreach coordinator for the school.



Singer Jeff Schenkel made a special appearance at the Willie White Park cultural festival, strumming a few classic country tunes by folks like Merle Haggard and Ray Price, to provide a whole different kind of cultural musical expression on an Americana theme.

Cultural festival... from pg. 12



Pomona Mayor Tim Sandoval poses for the camera with community volunteers Lorraine Canales, at left, and Ruby Jung at the cultural festival.



Dance teams of all types and styles were on hand at the Willie White Park cultural festival.



Eva Thiel-Maiz representing Los Angeles County Supervisor Hilda Solis (at left) chats with cultural festival organizer M. Joyce Bakersmith before going on stage to present a special certificate from the county to the cultural festival.



It was time for the guys to get involved in a little folkloric dancing at the cultural festival.

Cultural festival organizer and master of ceremonies Vernon Price works his magic at the microphone on stage at the event last month at Pomona's Willie White Park.



Students from Village Academy High School were on hand to provide expert face painting for the kids at the cultural festival, courtesy of Village Academy counselor Lorraine Canales.



Authentic Aztec dancers from Pomona's Youth and Family Club perform at last month's annual cultural festival of the Willie White Park Focus Group in Pomona's Willie White Park.

Repertory Opera's 'Music at Noon' concerts continuing this month

Repertory Opera Company, Pomona's own opera company currently in its 15th season, is continuing its weekly "Music at Noon" concerts at Pomona's Trinity United Methodist Church to provide "a break of beauty and energy in the middle of the week."

Concerts are 40 minutes at noon each week and each concert includes at least three singers performing their favorite songs from opera, musical theater, art songs, music from their heritage, and American standards.

They are accompanied by Brian Farrell at the piano.

Trinity United Methodist Church is located at 676 N. Gibbs St., Pomona.

Admission is free.

Repertory Opera Company has produced more than 45 operas and more than 100 extra community concerts. Its mission is to present affordable and inspiring musical opportunities for emerging young artists and to introduce young people to opera through its free admission program for children, students and accompanying adults.

For more information, call (909) 230-4949 or visit the web site at www.repoperao.org.

SCE OFRECE PROGRAMAS QUE TE AYUDAN A AHORRAR DINERO.

- ✓ Alrededor de 30% de descuento en tu factura de energía
- ✓ Electrodomésticos gratuitos

SCE ofrece consejos útiles que te ayudarán a conservar energía y reducir tu factura mensual (para hogares elegibles). Podrías obtener alrededor de 30% de descuento en tu factura de energía con el programa de Tarifas Alternativas de Energía para California (CARE, por sus siglas en inglés) o podrías calificar para el Programa Familiar de Reducción de las Tarifas de Energía (FERA, por sus siglas en inglés). Con el Programa de Ayuda para el Ahorro de Energía (ESAP, por sus siglas en inglés) también podrías recibir electrodomésticos de consumo eléctrico eficiente, productos de iluminación y servicios de climatización gratis, y una evaluación gratuita de tu hogar. Para más información o para averiguar si calificas, sce.com/ayuda.



California Senior Legislature releases top legislative priorities with labeling prescription drugs as top concern

The California Senior Legislature, a non-partisan “shadow” legislature, adjourned its 38th annual legislative session this month by announcing its top 10 state legislative proposals with

the number one spot requiring physicians to label prescription drugs with the purpose for which the medication is prescribed.

Other legislative proposals include providing transportation to

medical services for seniors and the disabled, reporting of financial elder abuse, affordable rental housing for veterans and requirements for structural features designed to prevent falls in new

housing.

Also on the list is a measure providing for affordable housing for the elderly, legislation calling for a study to determine if Medi-Cal and low-cost private dental insurance plans for seniors would result in lower overall costs to the state for hospital visits, and a measure requiring electric vehicle charging stations to provide at least one van-accessible station.

In the area of homelessness, another measure would propose that a count of the number of homeless individuals would include the number of seniors and individuals with disabilities that

are homeless.

And a “travel safety” measure would require that all hotels, motels, inns and bed and breakfasts install grab bars in the tub and shower areas and non-skid surfaces on the tub and shower floor.

The organization will work during next year’s legislative session to have state lawmakers carry and support these priorities.

Working to improve the lives of California’s six million seniors since 1981, the California Senior Legislature has sponsored more than 200 new laws helping seniors with financial abuse, health care and more.



RED RIBBON WEEK -- Pomona Mayor Tim Sandoval presents a certificate proclaiming Red Ribbon Week in Pomona last month to Corporal James Gibson, head of the Pomona Police Department’s crime prevention unit, as members of the Pomona City Council and crime prevention officers look on. Also pictured, at right rear, is Youth and Family Club Executive Director Victor Caceres who said the club requires all members to pledge to be drug free. Not pictured but on hand at the presentation were representatives of Partnership for a Positive Pomona (P3) and Pomona’s Youth Prevention Council, organizations that work to prevent substance use through educational programs in the community. Red Ribbon Week was observed in Pomona during the week of Oct. 23. The national Red Ribbon campaign, launched in 1985, has touched the lives of millions of people around the world in response to the murder of federal Drug Enforcement Agent Enrique Camarena. Angered parents and youth nationwide began wearing red ribbons as a symbol of their commitment to raise awareness of the killing and destruction caused by drugs. In 1988, the emphasis shifted to a national celebration to serve as a catalyst to mobilize communities to educate youth and encourage participation in drug prevention activities.

City of Pomona providing assistance in lead paint removal for qualifying homeowners

The City of Pomona is providing assistance to qualified homeowners who may have peeling or chipping paint containing lead in houses built prior to 1978.

According to the city, lead is a health hazard but serious health problems are 100 percent preventable.

The Lead Education Awareness and Control (LEAC) program was created to provide lead paint testing and removal assistance to prevent lead poisoning in homes with younger

children.

Benefits include home improvements like repairing and repainting windows, doors, interiors and exteriors.

Funding availability is on a first-come, first-served basis, based on U.S. Department of Housing and Urban Development income limits that were revised in April.

For more information, contact Vanessa Garcia at (909) 620-2001 or Jacqueline Contreras at (909) 620-3799.



POMONA VALLEY MEMORIAL PARK
A Non-Profit Corporation
Cemetery • Mausoleums • Crematory
tel: 909.622.2029 • fax: 909.622.4726



Janet Roy
General Manager

Pomona Valley Memorial Park is a 54-acre nonprofit cemetery operating since 1876. The cemetery, which serves all faiths, offers a beautiful, serene and affordable cemetery choice.

Pomona Valley Memorial Park es un cementerio sin fines de lucro establecido en 1876... un cementerio que ofrece belleza y tranquilidad a precios accesibles.

波莫纳谷纪念公园是一个54英亩的非盈利性公墓自1876年营运。该墓地，它为所有的信仰，提供了一个美丽，宁静的墓地和负担得起的选择

Affordable pre-payment plans for your peace of mind.
Call and make an appointment today for a free consultation.
Witness cremation service available.

- Para su tranquilidad, ofrecemos planes económicos de pagos por adelantado.
- Llame ahora para fijar una cita de consulta gratis.
- Servicio para presenciar la cremación disponible.

- 经济实惠的预付费计划，让您无后顾之忧。
- 打电话预约今天免费咨询。
- 见证火化服务提供。

Cementerio • Mausoleo • Crematorio
公墓 • 陵园 • 火葬场

Cemetery Grounds
8 am until 5 pm daily

Mausoleum
9 am until 4 pm daily

Office
8 am until 4:30 pm
Monday - Friday

502 E. Franklin Avenue • Pomona, CA 91766
pomonacemetery@verizon.net • www.pomonacemetery.com



Need to advertise in La Nueva Voz?

Call Renee Barbee, V.P. of Ad Sales and Operations

(909) 629-2292

Board Member, Pomona Chamber of Commerce
www.lanuevavoz.net

A new La Nueva Voz publishes each month on the fourth Thursday of the month.

Pick up your free copy of La Nueva Voz at these locations and dozens more:

- Pomona City Hall lobby
- Pomona library
- Claremont library
- Claremont City Hall lobby
- La Verne City Hall lobby
- La Verne Senior Citizens Center
- Pomona Chamber of Commerce, 101 W. Mission Blvd., Pomona
- Downtown Pomona Owners Association, 119 W. 2nd St., Pomona
- Pomona Unified School District administration building lobby
- Western University of Health Sciences Patient Care Center
- Pomona Valley Hospital Medical Center maternity lobby, outpatient services, emergency room
- Gold Strike Market Carniceria, 412 N. Park Ave., Pomona
- Jicamex Tacos Y Carniceria, 604 E. Mission Blvd., Pomona
- Fairplex Chevron, Fairplex Drive and San Bernardino Freeway, Pomona
- Discount Market, Philadelphia Street and Towne Avenue, Pomona
- LaunderLand Coin Op Laundry, 744 E. Holt Ave., Pomona
- American Legion Post #30, 239 E. Holt Ave., Pomona
- Pomona Eagles, 854 W. Mission Blvd., Pomona



SAFETY FIRST By Jose Bermudez, Certified Safety Professional

Toy Safety and the Holidays

With the holidays already upon us, and gift giving always in season, we need to consider toys and their safe use and enjoyment free of safety and health risks.

A variety of toys and ages apply. Ages range from young children (infants and toddlers) to pre-teens, teenagers, and young adults (also the young at heart).

All ages and categories of toy – and hazard – will be touched upon. Reference source also will be provided.

When shopping for toys for a young child, buy toys without small pieces. Small children can choke on small parts found in toys or games.

Keep in mind that government regulations spell out how toys for children under age 3 cannot have parts smaller than 1-1/4 inches in diameter and 2-1/4 inches long (see figure).

A toy part the size of a grape, whether whole or cut in half, can become lodged in a child's throat and cause choking. Children can also choke on torn or uninflated

balloons, marbles, and small balls. Ribbons and strings can be a strangulation hazard.

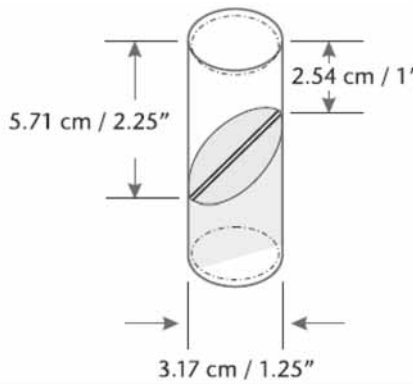
Be careful with toys and even greeting cards, and remote controls that contain button batteries or small magnets. Intestinal injuries and death can result from children swallowing such objects. Contact your medical provider immediately if children swallow such things.

Toxic materials used in toys include lead, chromium, and phthalates. Lead harms children's biological development and adversely affects IQ, attentiveness, and academic achievement. Lead is a concern with excessive levels found in the fidget spinner toys that supposedly are made for children 14 years and older, even though they are marketed and sold to younger children.

Chromium (VI) affects children through skin contact that may cause severe allergic reaction, redness, swelling, ulcers, lung cancer

(inhaled), and stomach cancer (ingested). Phthalates (plastics) are used as softening agents in plastics such as PVC and BPA. Phthalates harm the male reproductive organ system, and are linked to early puberty.

In 2017 the U.S. Consumer Product Safety Commission limited use of these chemicals in toys and other children's articles. The



commission put eight phthalates (DEHP, DBP, BBP, DINP, DPENP, DHEXP, DCHP, and DIBP) off limits for children's products.

Also enacted were new requirements for laboratory testing of these newly prohibited substances. These requirements went into effect on April 25.

At present there are no federal government chromium (VI) limits, although Underwriters Laboratories, Inc. has developed UL 172, a voluntary industry standard that covers toxic substances including chromium (VI), and harmonizes with the European Union's limits on toxic substances in toys.

Additionally, ASTM (American Society for Testing and Materials) F963 Standard addresses chromium (VI) on toy surface coatings and substrates.

Other concerns include burn, electrical, and noise hazards. Burns and electrical exposure can be prevented by providing children under age 10 toys with batteries that are secured in the toy. This prevents use of a toy/device that plugs into an electrical outlet.

Additionally, there is a burn, fire, and explosion risk with overheating of lithium batteries used in electronic devices and hoverboards. Several product recalls have occurred as a result of lithium battery issues.

Loud noise exposure for children for a short period of time or

extended timeframe can have serious consequences. Noise exposure and hearing loss is a permanent disability and can affect both ability to learn and social development for the rest of a child's life.

The last hazard to consider is a security and safety issue, because parents and toy givers now need to be aware of internet-connected toys that may violate children's privacy and other consumer protection laws.

Now and in the future, there are more products that are part of the Internet. Consequently, concern over data collection and the sharing of consumer information has become an issue. An example of this is a doll, "My Friend Cayla," which was banned in Germany due to privacy violations. It is referenced in a 2017 toy survey from the U.S. PIRG (Public Interest Research Group) Education Fund.

This doll is also the subject of a complaint by several consumer groups to the U.S. Federal Trade Commission because it may violate the Children's Online Privacy Protection Act. In July, the Federal Bureau of Investigation issued a warning to consumers to be aware of cyber security before introducing smart, interactive, internet-connected toys to any children.

Bear in mind that personal information such as name, date of birth, pictures and address commonly may be provided when creating user accounts. These toys and devices transfer personal information that can be used by both businesses and criminals.

In order to protect children from unsafe toys, consider these recommendations:

1. Examine packaging and toys for package warnings, sharp edges, surfaces, and conditions that could be a serious exposure for the child. Make certain that toy is age appropriate.

2. Infant toys purchased should be unbreakable and strong enough to withstand chewing.

3. Small children's toys should not have batteries, magnets, small balls, marbles, removable parts such as eyes, wheels, or buttons that can result in a choking or an

ingestion hazard.

4. Look for toys that are not manufactured with toxic chemicals such as heavy metals, paints/pigments, and plastics.

5. Toys that shoot projectiles such as darts or arrows should have soft tips or suction caps at the end. Avoid guns or toys that may fire objects not designed for the toy.

6. Toys that emit sound should be inspected for loudness of noise and if they are too loud for an adult, they should not be purchased. Cap and noise making guns and handheld devices fit this category. Check Consumer Product Safety Commission guidelines for noise limits.

7. Crayons and paints should indicate ASTM D-4236 (American Society for Testing and Materials) evaluation.

8. Bicycles, scooters, skateboards, and skates should be used with helmet, kneepads, and elbow pads.

9. Subscribe to e-mail recall notices from Consumer Product Safety Commission at <https://www.recall.org>.

10. Also shop for toys with U.S. PIRG Education Fund approval (visit the web site at <https://www.uspirgedfund.org>).

Other heavy metals and chemicals can pose a hazard but were not a current issue in sources researched. When shopping for toys, always consider the age of child and the appropriateness of toy. Have a wonderful holiday season and enjoy great, safe gift giving.

(Related link: <https://www.cpsc.gov/Business--Manufacturing/Business-Education/Toy-Safety>)

Editor's Note: Jose Bermudez, a safety professional for nearly 40 years, has worked as a consultant and a regional safety and health manager for colleges, hospitals and an environmental engineering consulting firm, working for companies such as General Electric, Waste Management, Inc. and Quaker Oats. He received the designation of Certified Safety Professional from the Board of Certified Safety Professionals. His column is presented as a public service. He can be contacted at jsbrmdz8@gmail.com.

Footnote

In September's La Nueva Voz, we published an editorial in support of Pomona's sales tax increase on this month's ballot which, by the way, passed by almost a two to one margin. (Of course, we figure that margin was because of our editorial combined with the city's informational full-page ad in last month's issue.) In the editorial, we listed several concerns we had, most revolving around a lack of transparency in the manner in which the city presented the issue to the voters. Even so, we encouraged the passage of the measure. One of those points was the fact that the city council did not

incorporate in its deliberations in public – nor did the city take into account in its staff reports presented to councilmembers – the impact of the measure on the individual Pomona resident but only its impact on revenue to be generated for the city from its passage. In fairness, Pomona Mayor Tim Sandoval reached out to La Nueva Voz to make the point that while impact on residents was not considered in staff reports or discussion in open city council meetings, it was covered extensively in community meetings with residents. We just wanted to clear that up.

Correction

A story in La Nueva Voz last month on a Rubik's Cube competition at Cal Poly University Pomona contained several inaccuracies because of information provided.

Pictured was IPoly senior Patric Waworuntu, not Justin Wu, and the event was hosted by IPoly rather than Cal Poly, even though the event was held at Cal Poly.

Max Park is actually national champion and is currently ranked as second in the world.

In addition, IPoly students volunteered as judges, officials and runners, and IPoly history teacher Sean Daly assisted in the event.

IPoly senior Patric Waworuntu, who competed in the event, has participated in more than 20 events over the past three years.

Cuentito for today By Susie Perales

Yesterday was a nightmare in the streets of LA!! It was the worst traffic day in the entire world!! We spent ELEVEN hours in Beverly Hills and LA! We thought we went to traffic hell! Every side street in Beverly Hills to downtown LA was packed and there was nowhere to escape!!! I told pops, "I'm writing a book on this cuentito!!!"

I had to pee very badly and gas stations or fast food places said I couldn't use their bathrooms. I was ready to join the homeless and go pee on a fire hydrant!!! I saw a prostitute walking up and down the middle of the street. She was glued to her phone talking to someone in a frantic tone. I thought maybe she had to go pee as badly as I did and was looking for a clean place to go to ASAP! I considered jumping out of the car to follow her since she obviously owned the neighborhood on Wilshire Boulevard.

We got up at 6:30 a.m., we left at 9 a.m. and got home at 8:30 p.m.!!! So, when we got back into town I told Uncle Johnny I needed a drink to calm my rattled nerves. OMG, red wine never tasted soooooo good! Yeah, I drank two glasses of wine last night to celebrate our return to our comfy home.

I believe I went a little nuts yesterday! But today, for the first time, I understood why some people resort to road rage. Not that I condone that type of behavior, but I wanted to do a scene from the movie 'Falling Down' with Michael Douglas, after all the hell we went through to get home.

Again, literally, every single side street and main street from Beverly Hills and past downtown LA was backed up with traffic. The freeways were, too. We saw 10 police cars flying through the 10 freeway. It looked like a sea of red brake lights everywhere we turned! I told pops I wished I was a cop so I could fly home behind them.

At one point I was sooo stressed out that I even asked a lady where the bathroom was at a car wash. I don't usually talk to strangers about my desperate need to go to

A snake pit of cars

the bathroom. She was dressed in a long, white dress and she had on a floppy, white hat. I thought, "wow, what a strange outfit for a such a warm day." She ignored me and I was thinking — what the heck! What a snob. I walked past her and I was shocked to see she was a dang, stuffed dummy!!! Geez, I felt like a total idiot. I was so glad no one saw me talking to her!!!

We went to more than three gas stations to find a bathroom and no one would let us use them! I told the lady at one place I had a bad kidney and she basically told me— too bad, so sad! My Spanish came in handy at another gas station. He was a Mexicano, praise God! The guy gave me the key to use his!! Uncle Johnny gave me a big hug, because he needed to go, too!!

To add to the drama we got lost! They gave me the wrong address to one of my appointments. That's why we were driving up and down the streets of LA.

I didn't recognize downtown at all. My beautiful LA was gone. In the 50's and 60's I would walk to town with my sister from Marengo and Soto without the fear I felt driving through town this time.

I called the doctor and the receptionist laughed. She said they were in Beverly Hills and we were 40 minutes away. But we made it right on time in spite of that little glitch.

The reason we were way out of our comfort zone yesterday was because I had to have three MRI's back to back! I had to spend a whole hour in that coffin-like machine! I got an anxiety attack in the middle of it and I was feeling like I couldn't breathe! I said so many Our Father's and Hail Mary's in that cocoon that I think I am now a full-blown Catholic!

I am very claustrophobic and have panic attacks if I'm out of my comfort zone or if my pain level goes to a 10. Yesterday was a doozy! With each labored breath that I took I, all of a sudden, felt my neck, knee, and right shoulder feel so much better. I kept hearing each pounding knock of the machine

in my head! I wanted out of there! Little did I know that the trip home was going to make me wish I was back in that tiny, little tube again!

I went to physical therapy earlier and they put a hot pad on my lower back. The physical therapist massaged me for five minutes, cracked my back and my neck. He said I had one leg shorter than the other and he fixed it in 15 minutes! He must be a miracle healer! NOT! It still hurts like hell! The long, hard drive there and back made me feel worse than when I got there.

I don't care who gets offended — Downtown LA looked like a hell hole! It was disgusting. After what we saw, I love LA like I love strep throat!! I'll never, ever go out there again as long as I live. If anyone ever tells me Pomona isn't a nice place to visit, I'll give them a free trip to Beverly Hills and LA. I'm glad we don't live there anymore!

On our way home, El Monte looked nicer! I grew up in LA and vowed never to leave my EAST LA. Pero, after much thought, I realized that we have been blessed with our nice, little town of Pomona! I missed my town so much that I wanted to scream, "help me sister!!!" "I'm dying out here in this snake pit of cars!!!"

At 8:30 we finally got to our golden, cabin in the sky!! I thank God for the home he gave us. All I need are some ruby, red slippers and to kiss my four doggies and the dang floor in my house! I'll never complain about the traffic here again.

My back is in so much pain right now. It's all spastic. I'm sleeping on my recliner with the massager on until it burns out and breaks!

When I left the house in the morning I was told I looked like Ms. Beverly Hills, but when I got home pops looked at me and said I looked like I had taken a whole box of Ex-lax! I love my Viejito's honesty.

Both Johnny and pops were very good sports through the whole ordeal. Most of the time they were making me laugh so I wouldn't cry.

ALLSTATE CLAIMS OFFICE SUPPORTS HOUSE OF RUTH -- Representatives of Allstate Insurance Company's claims office in Diamond Bar last month presented a check for \$2,279 they were able to collect in their office to House of Ruth in Pomona. They received a Community Partner Recognition award for their support of Allstate Foundation's Purple Purse fundraising challenge, dedicated to ending domestic violence through financial empowerment. Since 2005, Allstate has helped more than 1.3 million women and men break the cycle of abuse. Presenting their check to Pat Bell, House of Ruth director of development, at the annual candlelight vigil at House of Ruth are, at left, Kimberly Gorjans and, at right, Dulce Villa. Pomona Mayor Tim Sandoval and Pomona City Councilmember Rubio Gonzalez attended the event which each year recognizes community partners for supporting the work of House of Ruth. The event was co-hosted with the Pomona Police Department and Foothill Family Services during October Domestic Violence Awareness Month to honor all survivors and remember those victims who lost their lives.



POMONA YOUTH BOXING LEGEND HAS THEM ON THE ROPES AGAIN -- Tito Mercado, who has literally grown up in the Gangs 2 Grace Youth Boxing Club in Pomona and now is ranked number one nationwide, has won USA Boxing's 2018 Eastern Qualifier National Tournament in Chattanooga, Tennessee, in the 132 pound class. And with Olympics qualifiers just around the corner, he's now keeping his sights on a shot at the 2020 Olympics in Japan. The soon-to-be 17-year-old senior at Pomona High School has won multiple national amateur titles this year. Tito is pictured in the ring in the front row at left. To join Gangs 2 Grace, visit the gym at 637 W. Holt Ave., Pomona, or call (909) 469-9944.

Hope & Hurdles

By Evy Schuman



EDITOR'S NOTE: "Hope & Hurdles," an on-going feature appearing in La Nueva Voz, was created by artist Evy Schuman as an attempt to "poke fun" at the little things that trouble us all from time to time. Evy, who is also a published writer on the subject, created the cartoon series to show her work at a creative writing class she co-facilitates at Pomona's Tri-City Wellness Center.

County property tax bills mailed to 2.4 million property owners

Los Angeles County Treasurer and Tax Collector Joseph Kelly announced that his department mailed some 2.4 million 2018-2019 annual secured property tax bills to property owners this month.

According to Kelly, the tax bills were mailed to addresses on the tax roll. He said failure to receive the tax bill does not relieve a property owner of the responsibility to make timely payments.

Property owners who have not received a tax bill should call the bill request line at (213) 893-

1103 to request a substitute bill. Substitute bills also are available in the Kenneth Hahn Hall of Administration, 225 N. Hill St., first floor lobby, Los Angeles, and at each office of the county assessor.

The first payment was due on

Nov. 1 and becomes delinquent on Dec. 10.

For more information, including the amount due on any parcel, visit the web site at lacountypropertytax.com or call the 24-hour automated information line at (888) 807-2111.

Sign up for Pomona Unified School District's

Free 'Early Learning Literacy' App!

It's a fun way to improve reading skills.


Register at www.myf2b.com/register/pomona

footsteps2brilliance

La Nueva Voz is a proud member of PUSD's Literacy Collaborative.

The following public service ads are courtesy of La Nueva Voz:

Project Sister Family Services
Sexual Assault and
Child Abuse Services
909-626-4357
or 626-966-4155
www.projectsister.org

**Feeding the Hungry,
Sheltering the Homeless**
Grocery Distribution at
209 W. Pearl St.
Pomona

Volunteering: 909-622-3806
www.inlandvalleyhopepartners.org

HOUSE OF RUTH
Abused by your partner
and need help?
24-hour hotline:
(909) 988-5559 or toll
free at (877) 988-5559

Pomona Public Library Hours
Mon., Tues., Wed. Thurs.:
1 to 7 p.m.
Sat.:
Noon to 5 p.m.
Fri., Sun.:
Closed

 **Inter Valley Health Plan**
Medicare plans for health. Not for profit.

Medicare Annual Open Enrollment Ends December 7th.

Ready to Switch? We Make it Easy. Talk to a Medicare Specialist Today.

Ready to switch your Medicare plan? It's easy to enroll with Inter Valley Health Plan. We know Medicare, with almost 40 years of experience in the Inland Empire. Our Medicare Specialists can show you affordable solutions with:

- \$0** Monthly Premium **\$0** Deductible
- \$0** Primary Physician/Specialist Visits
- \$0** Preventive Care



Inter Valley Health Plan is a not-for-profit HMO with a Medicare contract. Enrollment in Inter Valley Health Plan depends on contract renewal. For accommodation of persons with special needs at meetings, call 888-728-5630 (TTY/TDD 711). *No obligation to join the plan. Inter Valley Health Plan complies with applicable federal civil right laws and does not discriminate on the basis of race, color, national origin, age, disability or sex. ATTENTION: Information and language assistance services are available to you free of charge. Call 1-800-251-8191 or TTY/TDD 711. ATENCIÓN: si habla español, tiene a su disposición servicios gratuitos de asistencia lingüística. Llame al 1-800-251-8191 (TTY/TDD 711). 開雷: 흔범퀵賈痰런體櫓匡, 쉰음 鹿츄費獲단語喇賭燎帛務. 請鈴電 Call 1-800-251-8191 (TTY/TDD 711).

H0545_FUY2019_M_096_CMS Accepted

MKS02380AD 12/18

Meet with us and we'll give you a FREE* Flu Season Pack—no obligation!

Name** _____

Email** _____

Phone** _____ ZIP _____

 **Inter Valley Health Plan**
Medicare plans for health. Not for profit.

Fill in and present this certificate when you meet with a Medicare Specialist to get your FREE* Flu Season Pack. While supplies last.

For more information: 888-728-5630 or TTY/TDD 711

*No obligation to join the plan. **By providing your phone number, you give permission for an Inter Valley Health Plan licensed salesperson to call you. You can opt-out of phone calls or emails any time by contacting info@ivhp.com or calling 800-500-7018 (TTY/TDD 711). Only one gift per person, per calendar year. Must be Medicare eligible to receive gift.

Downtown Pomona Chalk Art Festival attracts most advance registrations ever



An "Alice in Wonderland" entry produced by students was one of the award winners in this year's Chalk Art Festival.



Josephine Salomon, 2, of Pomona, uses her brush and crushed chalk mixed with water to work on her special creation.



SAE STUDENTS CREATE ROUTE 66-THEMED ART -- Students from Pomona's School of Arts and Enterprise created a Route 66-themed entry in this year's Chalk Art Festival. "We're adding the canyons, the forest, the mountains, the sunset and the pier which is the end of (Route 66) in Santa Monica," said high school junior Lauren Echevarria, at right. Pictured, at left, is Sam Salas, also a junior.

Another group of artists puts the finishing touches on their Route 66-themed creation in this year's 12th annual Chalk Art Festival in Downtown Pomona. Pomona Cultural Arts Commissioner Joshua Swodeck said the event is sponsored by the commission in conjunction with schools throughout Pomona, the Downtown Pomona Owners Association and others. Pomona's Kiwanis were on hand to provide breakfast burritos and hot dogs with all proceeds going back into the festival's budget. Cultural Arts Commissioner Sally Egan chaired the event this year. Swodeck said the festival had 441 advance registrants a week before the event, the largest group of pre-registrants ever, and several others came in at the last minute.



ARTISTS USE CHALK TO CREATE SIDEWALK ART -- Artists came in all sizes and ages this month in Downtown Pomona for the annual Chalk Art Festival. This year's theme was Route 66.

Most Creative Concept - Garey High School

- Jennifer Gaytan
- Evelyn Casas
- Brianda Hernandez
- Yoselin Saucedo

Best Team Work - Diamond Ranch High School

- Stephanie Macedo
- Gina Freyre
- Mauro Loussain

Best Use of Materials - Diamond Ranch High School

- Nicole Mora
- Destinee Luong
- Kelsey Jimenez

Professional

- Gus Moran

Best Use of Theme - Pomona High School

- Melissa Badboza
- Leslie Simenthal

Best use of Color - Garey High School

- Anh Thu Tran
- Melody Sanchez

(Tabulations provided by Pomona Cultural Arts Commissioner Andrew Quiñones)

COLLEGE STUDENTS IN CHURCH OF GOD 'SAVE THE EARTH' PROGRAM CLEAN UP GANESHA PARK

-- Some 230 student volunteers in the ASEZ program, a program for university students affiliated with the World Mission Society Church of God working to save the earth in 175 countries, spent more than three hours cleaning up Pomona's Ganesha Park and a nearby alley this month. Pomona City Councilmember Robert Torres participated in the clean-up project that resulted in filling dozens of trash bags. Students participating in the program were from Cal Poly University Pomona, Mt. SAC, Cal State University Los Angeles, Antelope Valley College and others. The organization's clean-up initiative directly aligns with the United Nations' Sustainable Development Goals and is part of the group's mission to carry out its "crime reduction movement for human happiness" through community outreach to help reduce crime by inspiring good citizenship.



The organization's clean-up initiative directly aligns with the United Nations' Sustainable Development Goals and is part of the group's mission to carry out its "crime reduction movement for human happiness" through community outreach to help reduce crime by inspiring good citizenship.

Pomona Valley Transfer Station opens new clean air CNG fueling terminal

Pomona Valley Transfer Station officials and representatives of Pomona and surrounding cities cut a ceremonial ribbon this month to open a new compressed natural gas fueling station at the facility that will help improve the environment through both the use of clean-burning fuel and the elimination of truck trips along major traffic corridors in the city.

“We’re very happy and satisfied that we’ve been able to put this together,” said transfer station principal David Perez. “It took a lot of effort, a lot of hours, a lot of time, help from the city, help from the community, and now we’ve made good on all the promises we made to the community.”

The single pump with two nozzles will be used by all of the CNG trucks from Valley Vista Services, the parent company of the transfer station. Valley Vista currently has 115 refuse collection vehicles and about 85 of them are CNG powered, Perez said.

Included in the new operation in addition to the fueling pump itself is an entire network of compressors and storage bottles, used in the process of receiving natural gas from the pipeline and compressing it for use by the trucks.

Perez explained the gas comes in at about 40 pounds per square inch and is compressed up to 4,000 pounds per square inch.

He added that without Bob Cruz and Southern California Gas Co., the project would not have been possible.

“They had to bring in a line from East End (Avenue) and First Street to supply us because they didn’t have enough capacity,” Perez said.

He explained the project fits well in the philosophy of Valley Vista and the transfer station in terms of cleaning up the environment.

“It’s kind of the last piece of the puzzle for this facility,” he said. “So now we’ve got the facility, we’ve got the LEED (Gold Leadership in Energy and Envi-

ronmental Design) designation, the SWANA (Solid Waste Association of North America) designation, now we can fuel all the clean fleet that comes in here . . . so they don’t have to go long distance to get that fuel, it’s all right here, so we’re reducing truck trips, we’re reducing emissions.”

Other benefits, he said, include reduced traffic and reduced wear and tear on the roads.

Valley Vista opened a similar station at its City of Industry fa-



Photo by Sally Egan

Pomona Valley Transfer Station principals David Perez, holding the large scissors, and his brother, Peter Perez, holding the smaller scissors, cut the ribbon to officially open the new compressed natural gas fueling facility at the transfer station in Pomona. Those pictured, from left, include Pomona City Councilmember Robert Torres, Pomona Chamber of Commerce Executive Director Erica Frausto, Claremont City Councilmember Sam Pedroza, David Perez, Jill Reiff of Valley Vista Services, Peter Perez, Pomona City Councilmembers Ginna Escobar and Adriana Robledo, and former Pomona City Councilmember Danielle Soto, along with representatives of surrounding cities and transfer station staff.



Driver Manuel Madueno, operator of a vehicle from Grand Central Recycling & Transfer, part of the Valley Vista Services family of companies, fills his vehicle with compressed natural gas at the new dispensing facility at the Pomona Valley Transfer Station in Pomona.

In addition, the City of Pomona has about 22 CNG refuse collection trucks in its fleet and all of those will be using the fueling station, along with other haulers wishing to fill up using a credit card.

Capacity of the new fueling facility – which actually had been in use for about a month before the official opening – is about 120 trucks a day. Perez said it is currently pumping about 600 gallons per day.

ronmental Design) designation, the SWANA (Solid Waste Association of North America) designation, now we can fuel all the clean fleet that comes in here . . . so they don’t have to go long distance to get that fuel, it’s all right here, so we’re reducing truck trips, we’re reducing emissions.”

Other benefits, he said, include reduced traffic and reduced wear and tear on the roads.

Valley Vista opened a similar station at its City of Industry fa-

city in 2001. In addition, the company was “ahead of the curve” in switching over from diesel trucks well ahead of regulatory requirements to do so.

“We’re doing our job,” he said. “We were way ahead of the curve but honestly all these other haulers have stepped up and done the same thing.”

Pomona Valley Transfer Station opened in July 2015 and currently is operating at close to full capacity – about 75 percent – which is 1,000 tons per day.

Officials on hand for the opening included representatives of the City of Industry, the City of Claremont, and even former Pomona City Councilmember Danielle Soto, who was on the city council when the original package to construct the project was going through the approval process.



Compressors and storage bottles are an important part of the compressed natural gas fueling facility at the Pomona Valley Transfer Station.



NEW HAIR SALON OPENS IN POMONA -- Kristal Kuts Beauty Salon, specializing in everything from haircuts, eyebrows, up do’s, special occasions, braids, extensions and more, opened for business in Pomona this month with one of the more impressive ribbon cuttings of the year -- everything from mariachis on the ground to drones hovering over the parking lot to take pictures. It was actually the second location for owners Jorge Barajas and Kristal Ojeda-Barajas, who have a similar facility in La Puente. Kristal Kuts is located at 1483 W. Holt Ave., Pomona. Those pictured, from left, include Jorge Barajas (taking pictures with his cell phone); his wife, Kristal Ojeda-Barajas; Michelle Lemoine, of Chaffey Federal Credit Union; Pomona Mayor Tim Sandoval; Pomona Chamber of Commerce Executive Director Erica Frausto; Pomona City Councilmember Rubio Gonzalez; Pomona Chamber Board members Monique Manzanares, of the San Gabriel Valley Conservation Corps, and Renee Barbee of La Nueva Voz; Pomona Chamber Board Chair David McElwain, of the Los Angeles Office of Education’s GAIN jobs program; and Pomona Chamber Board member Michael Thomas, of Pomona Valley America’s Job Center.

Linda Gutierrez – the story of how to retire after 30 years of making a difference

People retire after 30 years all the time. Few can say that they went the last 17 years without missing a day of work – and, while they were at it, that they made a difference in the lives of the children they served.

But that pretty much sums up the career of Linda Gutierrez, who retired this month from the Pomona Unified School District.

“Linda exemplifies what’s great about Pomona Unified, someone that’s family, someone that cares about kids, someone that models great behavior for our kids . . . 17 years of 30 years perfect attendance, you can’t say anything better,” Pomona Unified Supt. Richard Martinez told La Nueva Voz.

“She loves her work, she does it with a smile, we should want that for everybody,” Martinez said. “So that’s a wonderful thing, we just thank her for being here, all the years, committing her life to this district.”

Gutierrez started her career at San Dimas High School in food services, went on to open the old Shilo Inn in Diamond Bar, and then went to work for Pomona Unified.

She started at Fremont Acad-

emy, became a manager, went on to Golden Springs Elementary School, and then on to Washington Elementary School and Pueblo Elementary School.

She spent her last nine years at Diamond Ranch High School.

Her career was celebrated at a retirement party with family, friends and co-workers this month at the Ganesha Park Community Center.

“I’m excited,” she told La Nueva Voz. “I can’t wait to spend time with my husband and with my mother, my mother is 90 years old, so I’m looking forward to spending a lot of time with her.”

She and her husband Peter, who retired from the City of Pomona as a community services supervisor after 37 years, have six children and 11 grandchildren.

She was asked what part of 30 years with Pomona Unified meant the most to her.

“Working with students and just making them smile and being happy and when they were sad just making their day,” she said.

What age group did she enjoy the most?

“I enjoy the high school kids,”



Pictured at a retirement party after a 30-year career with Pomona Unified School District are, from left, Pomona Unified School District Assistant Supt. Darren Knowles, honoree Linda Gutierrez and her husband, Peter Gutierrez.

she said. “I love the little ones but I had never worked with high school students and I really do enjoy working with the high school students.”

She also had a little advice for current employees or new employees coming into the district to help them make it to that 30-year milestone.

“Stay happy every day, just stay grateful and happy that you wake up breathing every single morning,” she said. “Make every day like it’s the last day, you have to enjoy life.”

She told the story about an 11th grade student at Diamond Ranch.

“I told him ‘I love you’ and he said, ‘you love me?’ And I said ‘yes, I love you,’” she said.

Gutierrez said he asked why.

“And then I said, ‘because I do, I love serving you and I love you for who you are,’” she said.



Pomona Unified School District Supt. Richard Martinez greets 30-year employee Linda Gutierrez at her retirement party this month.

She added that he told her his own mother never tells him she loves him.

She went around the counter and hugged him.

“And then I came back, and I cried because it was so touching to

me,” she said.

She had another student pulling a little backpack who every day was picking food out of the trash and one day she asked him why.

“He said he was taking it home to his little brothers and sisters for dinner,” she said, adding that she discussed that with her supervisor and they made sure he was able to eat every day.

Her husband Peter grew up in Pomona, graduated from Garey High School and then Cal Poly University Pomona. He retired from the city in 2014.

He said his wife grew up in Arizona on the Colorado River Indian Tribes reservation but relocated here after high school.

The two moved to Moreno Valley 30 years ago and she commuted to work each day.

Then what was the secret to perfect attendance?

“We became empty nesters, so we didn’t have to be in the same home with our kids and taking them to the doctor,” she said.

But the real trick was she only got sick during Christmas vacation, so she didn’t have to miss work.

Banquet room available for parties and meetings!

Full dinner menu -- from sizzling steaks and meatloaf to classic burgers and fries!

Now serving homemade pies!
Call today to pre-order your pies for any occasion!

We have 16 pies to choose from --
Large pies: \$12.99
Mini pies: \$4.99

Also available:
Six varieties of fresh baked cookies!

2 Foothill locations to serve YOU!

Long History Delicious Food

Mr. D's Diner

Your Neighborhood Diners

We are egg-cited to serve you!

Catering available!

Happy Hour 3 to 7 p.m. seven days a week!
Beer, wine, margaritas, champagne, and a special happy hour menu!



La Verne

Pomona

919 Foothill Boulevard • La Verne, CA
off 210 Freeway at Foothill & Baseline
(former Denny's location)

909.593.0111



401 E Foothill Boulevard • Pomona, CA
between Towne & Garey Ave (former Carrows location)

- BANQUET ROOM AVAILABLE -

909.398.4222

Open Mon - Thur 6 am - 9 pm • Fri & Sat 6 am - 10 pm • Sun 7 am - 9 pm
mrdrestaurants.com

\$6 OFF

Buy any Menu Entrée and 2 Beverages at Regular Price and Receive **\$6 OFF!!!**
2nd Menu Entrée of Equal or Lesser Value

- Valid ALL DAY Mon-Thru and after 3pm Fri, Sat, & Sun -
Not Valid with any Specials or any other offers. • Must present Coupon BEFORE Purchase.
Limit one coupon per table per visit. Expires 12-31-18 LNV

\$5 OFF

Buy any Menu Entrée and 2 Beverages at Regular Price and Receive **\$5 OFF!!!**
2nd Menu Entrée of Equal or Lesser Value

- Valid ALL DAY Mon-Thru and after 3pm Fri, Sat, & Sun -
Not Valid with any Specials or any other offers. • Must present Coupon BEFORE Purchase.
Limit one coupon per table per visit. Expires 12-31-18 LNV

\$4 OFF

Buy any Menu Entrée and 2 Beverages at Regular Price and Receive **\$4 OFF!!!**
2nd Menu Entrée of Equal or Lesser Value

- Valid ALL DAY Mon-Thru and after 3pm Fri, Sat, & Sun -
Not Valid with any Specials or any other offers. • Must present Coupon BEFORE Purchase.
Limit one coupon per table per visit. Expires 12-31-18 LNV